

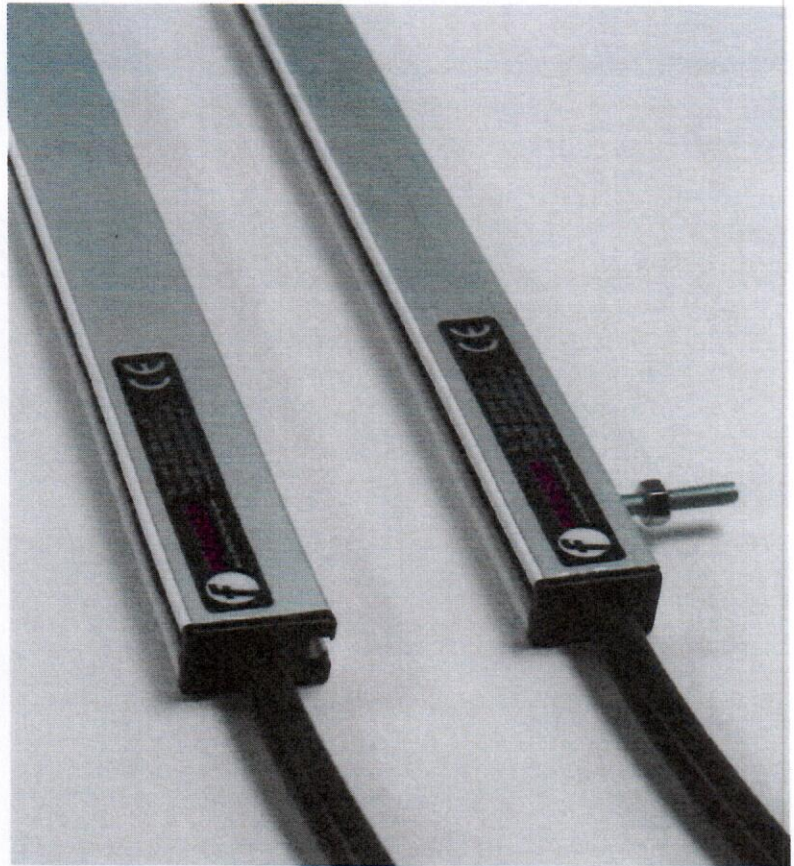
# ANTI-STATIC BARS

## 1100 SERIES STATIC ELIMINATORS

The 1100 Series Static Eliminators are high performance ionisers for modern manufacturing. A resistive coupling between the high voltage source and the emitters gives them powerful ionisation with completely shockproof operation.

Their compact size makes them particularly suited to web and sheet applications where space is limited.

Available in two versions: the 1100 with fixed M4 mounting studs and the 1100-S with mounting studs which slide in a slot to the required position.



- > Operating distance from 20mm to 100mm.
- > Suitable for most industrial processes, including pharmaceutical and food manufacturing.
- > Simple to install, with fixed or variable mounting studs.
- > All electronic components encapsulated in epoxy resin for protection and maximum durability, giving the Bar an IP66 rating, and suitable for wash down applications.

### Specification

<b>Length:</b>	From 60mm to 3m.
<b>Construction:</b>	Anodised aluminium, epoxy resin and ABS extrusion and endcaps.
<b>Cable:</b>	Hi-flex PVC covered screen 30kV cable. Standard length 2m - longer lengths can be specified at time of ordering.
<b>Safety:</b>	Current limitation on emitters approx. 55 $\mu$ A.
<b>Protection Classification:</b>	IP66. Fully sealed.
<b>Environment:</b>	Max: 60°C, 70%rH, non-condensing.
<b>Mounting:</b>	See sketches overleaf.
<b>Weight:</b>	0.45 kg/m.
<b>Standards:</b>	CE.
<b>Power Units:</b>	Use with Fraser 5.5kV or 6kV HP power units.

BOUSSEY CONTROL EUROPE - Jacob Lacopstraat 36 Bus 101 - 9700 Oudenaarde - Belgium

☎ +32 55 423953 - 📠 + 32 55 612101

Email: [info@boussey-control.eu](mailto:info@boussey-control.eu) – Site Internet: [www.boussey-control.com](http://www.boussey-control.com)

## How It Works

High voltage is applied in a controlled and safe way to the emitters. This ionises the surrounding air and releases ions of the opposing polarity needed which neutralise the charge.

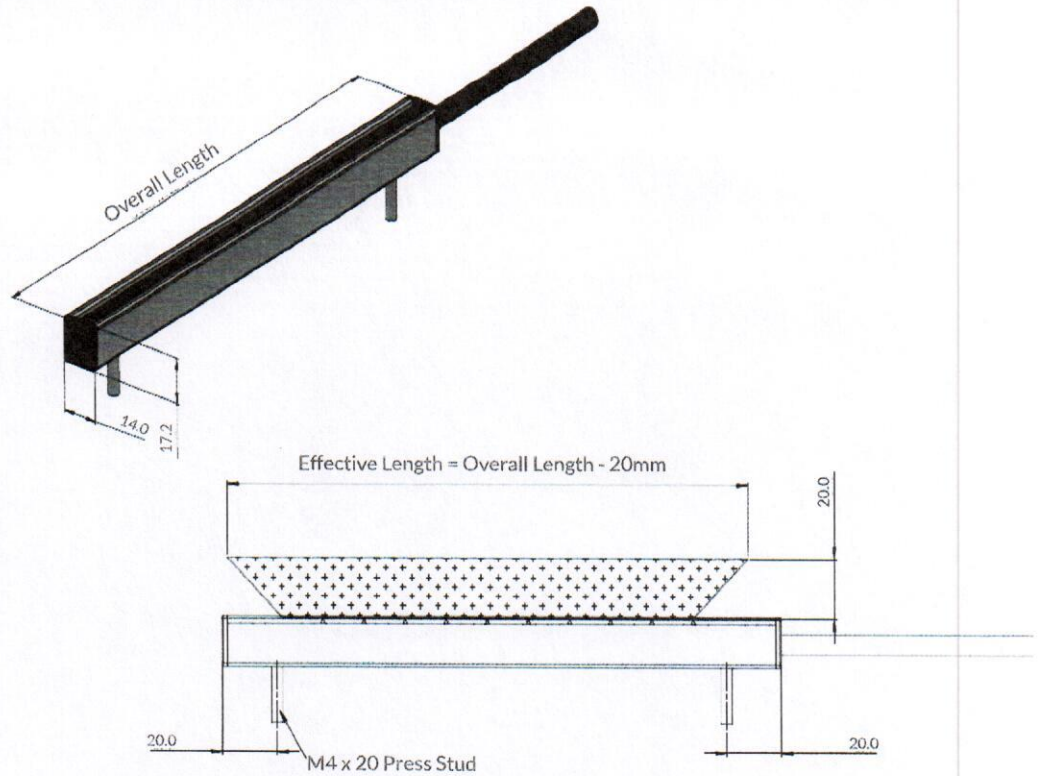
Unused ions quickly dissipate into the atmosphere.

## Dimensions & Installation

### Model 1100

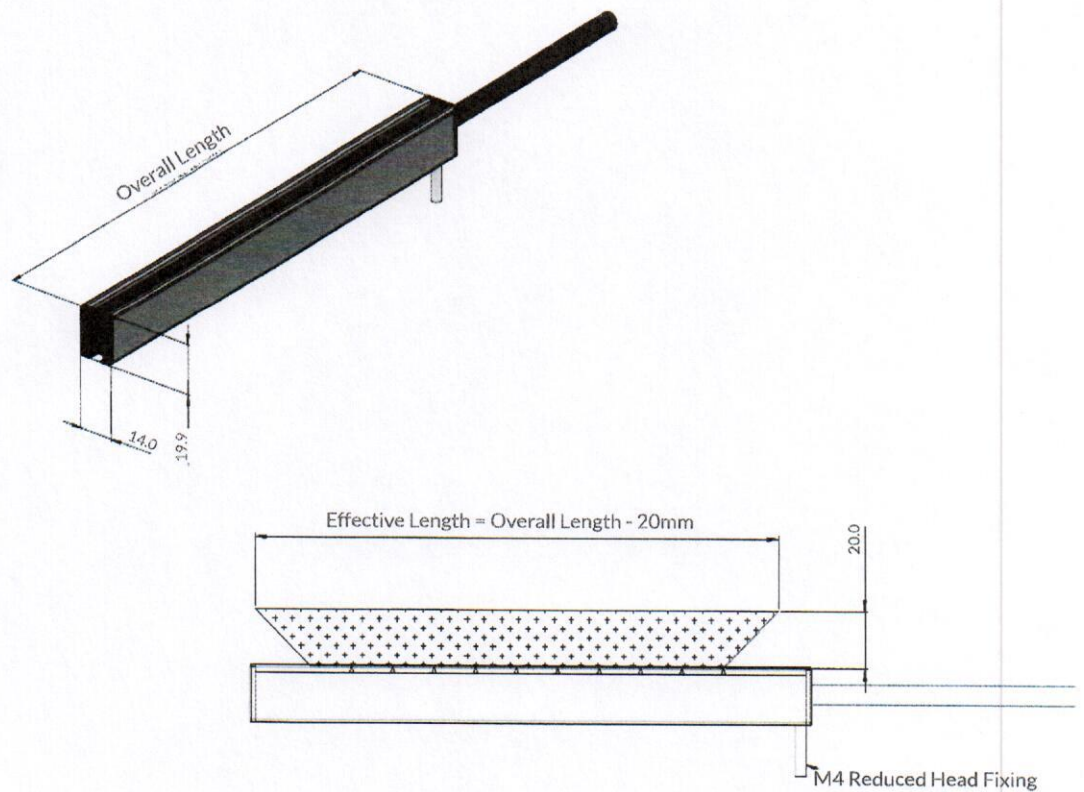
Most compact version with fixed mounting studs 20mm from each end.

Studs are M4 x 20mm.



### Model 1100-S

Version with versatile mounting - with a slot in which M4 mounting studs can slide.



BOUSSEY CONTROL EUROPE - Jacob Lacopstraat 36 Bus 101 - 9700 Oudenaarde - Belgium

+32 55 423953 - +32 55 612101

Email: [info@boussey-control.eu](mailto:info@boussey-control.eu) - Site Internet: [www.boussey-control.com](http://www.boussey-control.com)