

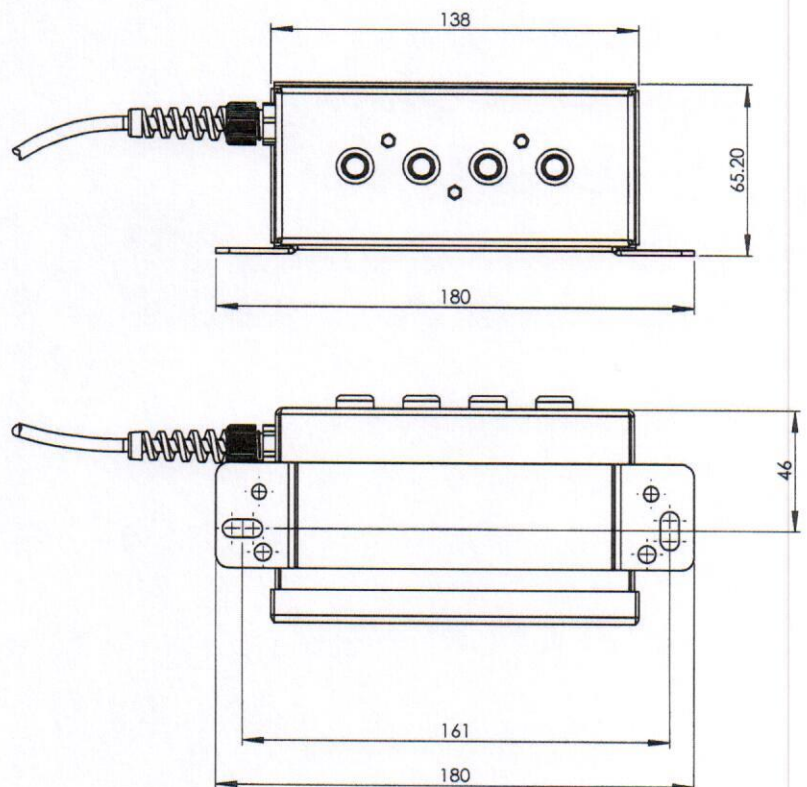
POWER UNITS

HP CONNECTOR BOX 4:1 CONNECTOR

For use with Fraser HP Connectors at up to 6kV.

The HP Connector Box allows the operator to have a cable disconnect feature anywhere in the cable system.

- > Versatile use with standard Fraser HP connectors.
- > Cable length 2m unless otherwise specified. Maximum length 10m if within total load of power unit.
- > High voltage side totally enclosed for safer operation.
- > Allows the customer:
 - to have cable distribution closer to application.
 - to have a cable disconnect between Power Unit and Static Eliminators (when power is turned off).
 - to serve a larger effective distance without increasing the load.
- > Suitable for Fraser 5.5kV and 6kV HP connectors. Weight with 2m cable: 800g.
- > The power at the Power Unit should be turned OFF before connecting or disconnecting a cable at the Connector Block.



BOUSSEY CONTROL EUROPE - Jacob Lacopstraat 36 Bus 101 - 9700 Oudenaarde - Belgium

+32 55 423953 - +32 55 612101

Email: info@boussey-control.eu - Site Internet: www.boussey-control.com